



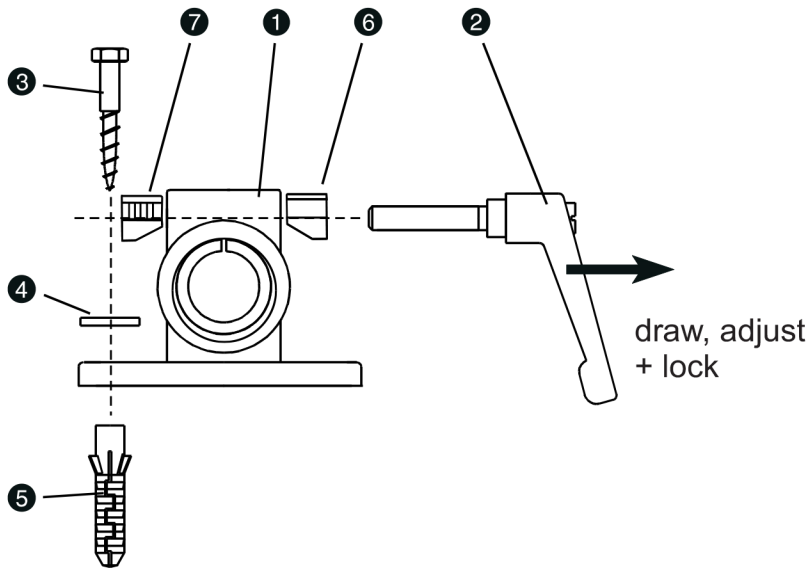
a xylem brand

BE/M 170

Installation Manual

BE/M 170

Masonry fixture



Equipment consists of

Position	Article	Quantity
①	Flange clamping device with reducer	1
②	Clamping lever M8 x 50	1
③	Wood screw 8 x 60	4
④	Shim 8.4	4
⑤	Dowel size 10	4
⑥	Clamping wedge without thread	1
⑦	Clamping wedge with thread	1

Materials

Position	Material
④, ⑥, ⑦	Stainless steel 1.4301
①	Aluminium die-cast
②	Lever: aluminium die-cast Thread: stainless steel 1.4305